



DAC ARM-SP12 (3.5 mm²)

Overview

DAC's ARM Series Direct Burial 2-Core Speaker Cable is meticulously designed for outdoor landscape audio systems, utilizing top-grade materials to ensure exceptional performance and durability. Crafted from 99.99% oxygen-free copper, this cable offers superior conductivity, essential for delivering rich and clear sound in outdoor environments. With its robust dual-jacket construction, HDPE insulation, and rodent-resistant features, the ARM Series cable is engineered to withstand moisture, UV exposure, and other environmental challenges, making it the perfect choice for both residential and commercial audio installations.

Technical Specifications

- **Conductor Material:** 99.99% Oxygen-Free Copper (OFC)
- **Conductor Configuration:** Stranded design to reduce inductance and capacitance
- **Insulation:** High-Density Polyethylene (HDPE) for moisture and UV resistance
- **Jacket Construction:** Durable dual jacket for enhanced protection
- **Available Wire Gauge:** AWG 12
- **Rodent Resistance:** Yes
- **Operating Temperature Range:** Suitable for various outdoor climates -20°C to + 75°C
- **Length:** Available in 150-meter reel
- **Weight:** 24 Kg.



Key Features

1. **Superior Conductivity:**
 - The high-purity oxygen-free copper ensures minimal signal loss and exceptional audio clarity, critical for maintaining sound fidelity in outdoor settings.
2. **Moisture and UV Resistance:**
 - HDPE insulation and dual jacket construction protect the cable from moisture and harmful UV rays, ensuring longevity and consistent performance.
3. **Rodent Resistance:**
 - Designed to withstand potential damage from rodents, this feature enhances durability, making it suitable for direct burial applications.
4. **Low Distortion:**
 - The stranded configuration significantly reduces inductance and capacitance, resulting in extremely low distortion and high-quality sound reproduction.



PROTECTION
AGAINST
RODENT
ATTACK



Applications

- **Landscape Audio Systems:**
 - Ideal for connecting outdoor speakers in gardens, patios, and landscaping projects, delivering high-quality sound for entertainment and ambiance.
- **Commercial Installations:**
 - Perfect for public spaces such as parks, outdoor venues, and commercial properties requiring reliable audio systems for announcements and events.
- **Event Spaces:**
 - Suitable for temporary and permanent setups at outdoor festivals, concerts, and events, ensuring robust audio performance in varying weather conditions.
- **Home Theatre Outdoors:**
 - Excellent for creating immersive outdoor home theatre experiences, connecting speakers to outdoor projection
 - Systems or entertainment setups.

Direct Burial Cable for Garden/Landscape/Outdoor applications

Conductor : 7/42/0.12 OFC, $\text{Ø}0.120\pm0.004\text{mm}$ (12AWG)

Insulation : HDPE $\text{Ø}3.6\pm0.05$, Red/Black, 1 pair

Inner Jacket : Shore 76A, PVC, $\text{Ø}8.0\pm0.05$, Black

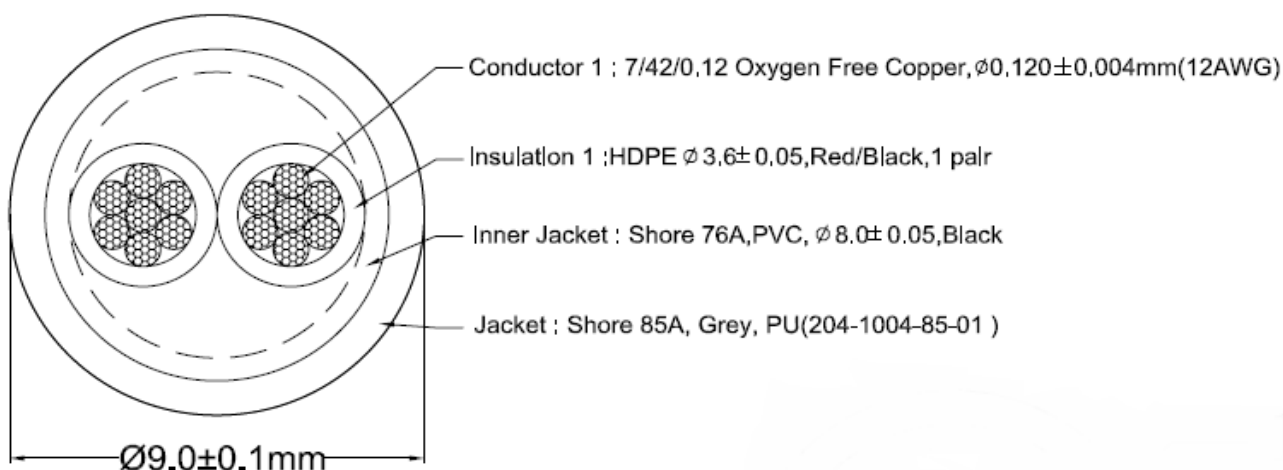
Jacket : Shore 85A, Grey, PU(204-1004-85-01)

ARM-SP12

Length

150M

REEL



Cable construction

